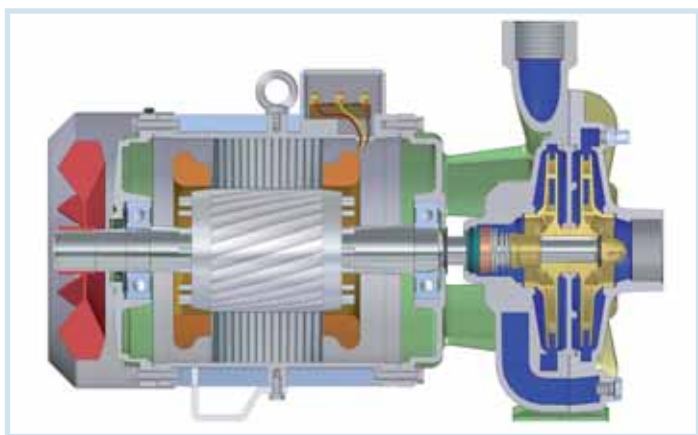


## APPLICAZIONI

Elettropompe centrifughe bigiranti per sollevare acqua pulita e liquidi moderatamente carichi di impurità non aggressivi per i materiali delle pompe. Caratteristica principale è l'impiego di due giranti contrapposte che permettono, a differenza del modello monogirante, elevate prevalenze. Adatte per impianti civili e industriali, distribuzione automatica dell'acqua a mezzo di piccoli-medi serbatoi (autoclave) e per irrigazione a pioggia in giardino e in agricoltura.

## APPLICATION

Twin impeller centrifugal water pumps to lift clean water and non-aggressive liquids. The main feature are the two opposite impellers which allow higher lifts than in the single-impeller model. They are qualified for civil and industrial fittings, for water distribution by tank pressure groups and for irrigation in gardening and agriculture.



## LIMITI D'IMPIEGO

- Pressione max. d'esercizio 6 bar (2C-2CM 25/130A)
- Pressione max. d'esercizio 10 bar
- Pressione max. d'esercizio 16 bar (2C 32/210B - 32/210A - 32/215A 2C 40/180B - 2C 40/180A - 2C 40/200A)
- Temperatura liquido fino a 35°C (2C-2CM 25/130A)
- Temperatura liquido fino a 90°C
- Temperatura ambiente fino a 40°C
- Altezza d'aspirazione manometrica fino a 7 mt.
- Servizio continuo

## MOTORE

- Motore elettrico ad induzione a 2 poli ( $n = 2850 \text{ min}^{-1}$ )
- Isolamento Classe F
- Protezione IP 44 (2C-2CM 25/130A)
- Protezione IP 55

## MATERIALI

- Corpo pompa Ghisa
- Supporto motore Ghisa
- Girante Ottone
- Albero motore Acciaio Inox
- Tenute meccaniche Ceramica/Grafite

## OPERATING CONDITIONS

- Max. working pressure 6 bar (2C-2CM 25/130A)
- Max. working pressure 10 bar
- Max. working pressure 16 bar (2C 32/210B - 32/210A - 32/215A 2C 40/180B - 2C 40/180A - 2C 40/200A)
- Liquid temperature up to 35°C (2C-2CM 25/130A)
- Liquid temperature up to 90°C
- Ambient temperature up to 40°C
- Total suction lift up to 7 mt.
- Continuous duty

## MOTORS

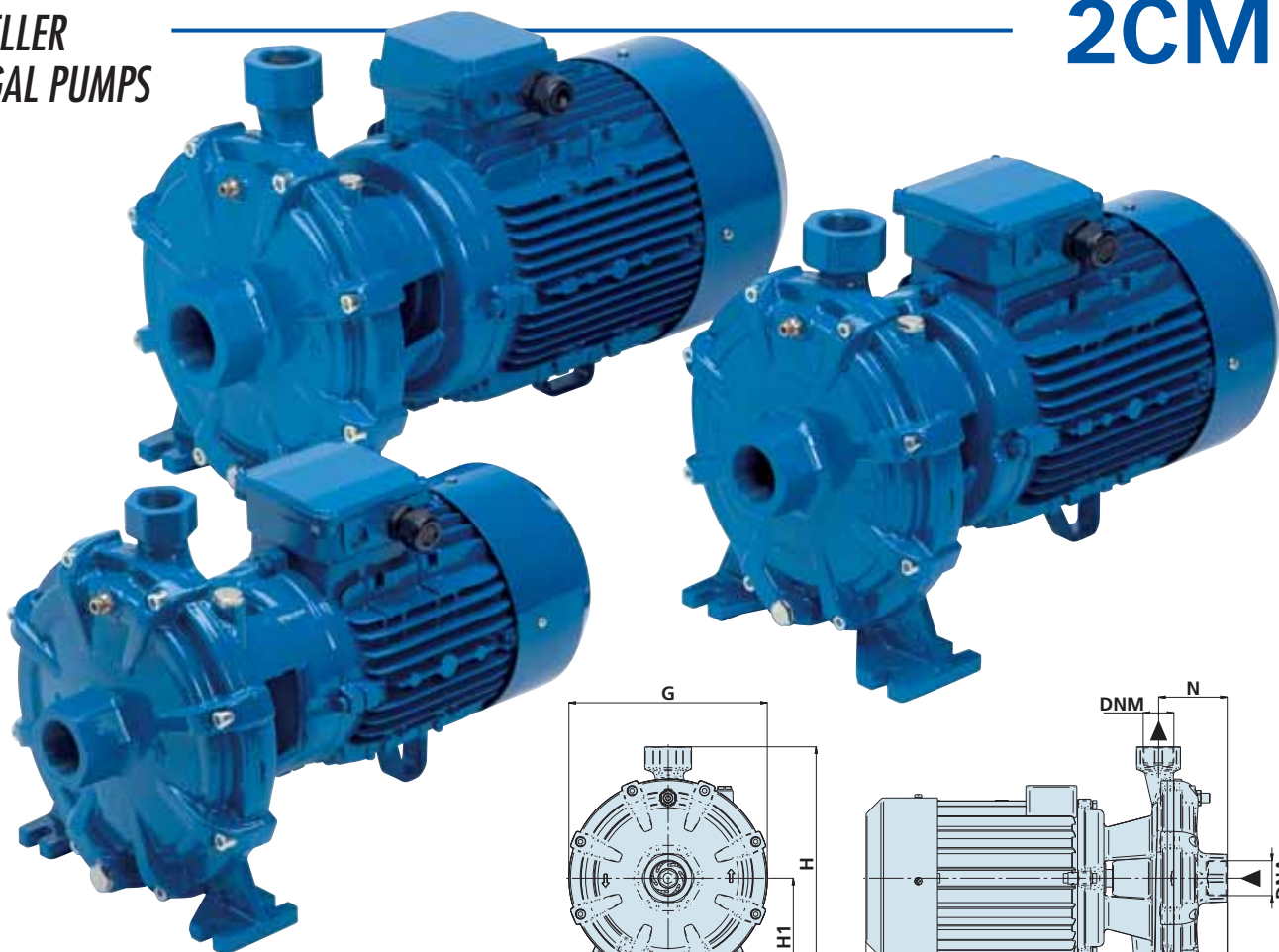
- Two-Pole induction motor ( $n = 2850 \text{ min}^{-1}$ )
- Insulation Class F
- Protection IP 44 (2C-2CM 25/130A)
- Protection IP 55

## MATERIALS

- Pump body Cast Iron
- Motor Support Cast Iron
- Impeller Brass
- Shaft with rotor Stainless Steel
- Mechanical seal Ceramic/Graphite

## DATI TECNICI - TECHNICAL DATA

| TIPO - TYPE              |                        | POTENZA NOMINALE<br>NOMINAL POWER<br>P2 |      | POTENZA ASSORBITA<br>INPUT POWER<br>P1 | AMPERE                   |                        | Q = PORTATA - CAPACITY  |       |       |       |      |      |      |      |      |     |     |
|--------------------------|------------------------|---|------|--|--------------------------|------------------------|---|-------|-------|-------|------|------|------|------|------|-----|-----|
| Monofase<br>Single-phase | Trifase<br>Three-phase | HP                                      | KW   | KW                                     | Monofase<br>Single-phase | Trifase<br>Three-phase | m <sup>3</sup> /h   | 0     | 1,5   | 3     | 6    | 9    | 12   | 15   | 18   | 24  | 30  |
| 230V-50Hz                | 230/400V-50Hz          |   |      |  | 1 x 230V                 | 3 x 400V               | lt/1'   | 0     | 25    | 50    | 100  | 150  | 200  | 250  | 300  | 400 | 500 |
|                          |                        |   |      |  |                          |                        | Prevalenza manometrica totale in m.C.A. - Total head in meters w.c. |       |       |       |      |      |      |      |      |     |     |
| 2CM 25/130A              | 2C 25/130A             | 1                                       | 0,75 | 1,25                                   | 5,5                      | 2,5                    | 44  | 41    | 37    |       |      |      |      |      |      |     |     |
| 2CM 25/160C              | 2C 25/160C             | 1,5                                     | 1,1  | 2,2                                    | 10                       | 3,8                    | 55  | 52    | 49    | 35    |      |      |      |      |      |     |     |
| 2CM 25/160B              | 2C 25/160B             | 2                                       | 1,5  | 2,5                                    | 11                       | 4,2                    | 58  | 56    | 54    | 40    |      |      |      |      |      |     |     |
| 2CM 25/160A              | 2C 25/160A             | 3                                       | 2,2  | 3,4                                    | 15,5                     | 5,7                    | 66  | 64,5  | 63    | 57    | 49   |      |      |      |      |     |     |
|                          | 2C 25/180A             | 4                                       | 3    | 4,2                                    |                          | 7                      | 72  | 70    | 68    | 60    | 52   | 39   |      |      |      |     |     |
| 2CM 32/190C              | 2C 32/190C             | 3                                       | 2,2  | 3,4                                    | 15,5                     | 5,7                    | 64  | 62    | 60    | 54    | 45   | 42   |      |      |      |     |     |
|                          | 2C 32/190B             | 4                                       | 3    | 4,5                                    |                          | 7,5                    | 73,5  | 72    | 69,5  | 63    | 55   | 43   |      |      |      |     |     |
| 2CM 32/190A              | 2C 32/190A             | 5,5                                     | 4    | 6                                      | 29                       | 9,3                    | 88  | 86    | 84    | 77    | 68   | 56   |      |      |      |     |     |
| 2CM 32/210D              | 2C 32/210D             | 5,5                                     | 4    | 6                                      | 29                       | 9,3                    | 79  | 78,8  | 78,5  | 75,5  | 70   | 62   | 50   |      |      |     |     |
|                          | 2C 32/210C             | 7,5                                     | 5,5  | 8                                      |                          | 13                     | 90  | 89,5  | 89    | 87    | 82,5 | 76   | 64   | 49   |      |     |     |
|                          | 2C 32/210B             | 10                                      | 7,5  | 10                                     |                          | 16                     | 105,5   | 105,3 | 105   | 102,5 | 98   | 91   | 82   | 68   |      |     |     |
|                          | 2C 32/210A             | 12,5                                    | 9,2  | 11,5                                   |                          | 18,5                   | 117   | 116,8 | 116,5 | 114,5 | 110  | 103  | 94   | 82   |      |     |     |
|                          | 2C 32/215A             | 15                                      | 11   | 13                                     |                          | 21                     | 120   | 119,8 | 119,5 | 117,5 | 112  | 105  | 96   | 84   |      |     |     |
| 2CM 40/180D              | 2C 40/180D             | 5,5                                     | 4    | 6                                      | 29                       | 9,3                    | 60  | 59,5  | 59    | 58    | 56,5 | 54   | 50   | 45   | 34   |     |     |
|                          | 2C 40/180C             | 7,5                                     | 5,5  | 8                                      |                          | 13                     | 71  | 70,9  | 70,7  | 70,5  | 69   | 67   | 63,5 | 60   | 50   | 35  |     |
|                          | 2C 40/180B             | 10                                      | 7,5  | 10                                     |                          | 16                     | 87  | 86    | 85,5  | 85    | 83   | 81   | 77,5 | 75   | 65   | 51  |     |
|                          | 2C 40/180A             | 12,5                                    | 9,2  | 11,5                                   |                          | 18,5                   | 93,5  | 93,4  | 93,3  | 93    | 92   | 90   | 87   | 82   | 71   | 58  |     |
|                          | 2C 40/200A             | 15                                      | 11   | 13                                     |                          | 21                     | 96  | 95,9  | 95,8  | 95,5  | 94,5 | 92,5 | 89,5 | 85,5 | 76,5 | 65  |     |



**DIMENSIONI E PESI - DIMENSIONS AND WEIGHTS**

| TIPO - TYPE           |                     | DIMENSIONI mm - DIMENSIONS mm |    |     |     |     |    |     |     |     |      |        | DIMENSIONI DIMENSIONS mm |     |     | Peso Weight Kg |    |
|-----------------------|---------------------|-------------------------------|----|-----|-----|-----|----|-----|-----|-----|------|--------|--------------------------|-----|-----|----------------|----|
| Monofase Single-phase | Trifase Three-phase | A                             | B  | C   | D   | E   | F  | G   | H   | H1  | N    | DNA    | DNM                      | P   | L   | H              | Kg |
| 2CM 25/130A           | 2C 25/130A          | 80                            | 30 | 340 | 170 | 140 | 10 | 185 | 220 | 100 | 75   | 1"     | 1"                       | 197 | 357 | 270            | 16 |
| 2CM 25/160C           | 2C 25/160C          | 95                            | 50 | 400 | 208 | 168 | 10 | 222 | 265 | 120 | 85   | 1 1/4" | 1"                       | 230 | 412 | 310            | 23 |
| 2CM 25/160B           | 2C 25/160B          | 95                            | 50 | 432 | 208 | 168 | 10 | 222 | 265 | 120 | 85   | 1 1/4" | 1"                       | 230 | 412 | 310            | 25 |
| 2CM 25/160A           | 2C 25/160A          | 108,5                         | 46 | 440 | 230 | 190 | 12 | 246 | 290 | 132 | 92,5 | 1 1/4" | 1"                       | 300 | 530 | 460            | 26 |
|                       | 2C 25/180A          | 108,5                         | 46 | 440 | 230 | 190 | 12 | 246 | 290 | 132 | 92,5 | 1 1/4" | 1"                       | 300 | 530 | 460            | 41 |
| 2CM 32/190C           | 2C 32/190C          | 120                           | 60 | 450 | 250 | 200 | 15 | 272 | 340 | 160 | 94   | 1 1/2" | 1 1/4"                   | 300 | 530 | 460            | 40 |
|                       | 2C 32/190B          | 120                           | 60 | 485 | 250 | 200 | 15 | 272 | 340 | 160 | 94   | 1 1/2" | 1 1/4"                   | 300 | 530 | 460            | 46 |
| 2CM 32/190A           | 2C 32/190A          | 120                           | 60 | 495 | 250 | 200 | 15 | 272 | 340 | 160 | 94   | 1 1/2" | 1 1/4"                   | 300 | 530 | 460            | 53 |
| 2CM 32/210D           | 2C 32/210D          | 121                           | 60 | 530 | 280 | 225 | 15 | 300 | 375 | 160 | 107  | 2"     | 1 1/4"                   | 330 | 610 | 480            | 58 |
|                       | 2C 32/210C          | 121                           | 60 | 575 | 280 | 225 | 15 | 300 | 375 | 160 | 107  | 2"     | 1 1/4"                   | 330 | 610 | 480            | 71 |
|                       | 2C 32/210B          | 121                           | 60 | 575 | 280 | 225 | 15 | 300 | 375 | 160 | 107  | 2"     | 1 1/4"                   | 330 | 610 | 480            | 75 |
|                       | 2C 32/210A          | 121                           | 60 | 575 | 280 | 225 | 15 | 300 | 375 | 160 | 107  | 2"     | 1 1/4"                   | 355 | 790 | 455            | 83 |
|                       | 2C 32/215A          | 121                           | 60 | 612 | 280 | 225 | 15 | 300 | 375 | 160 | 107  | 2"     | 1 1/4"                   | 330 | 610 | 480            | 90 |
| 2CM 40/180D           | 2C 40/180D          | 126                           | 60 | 535 | 280 | 225 | 15 | 300 | 375 | 160 | 116  | 2"     | 1 1/2"                   | 330 | 610 | 480            | 60 |
|                       | 2C 40/180C          | 126                           | 60 | 580 | 280 | 225 | 15 | 300 | 375 | 160 | 116  | 2"     | 1 1/2"                   | 330 | 610 | 480            | 73 |
|                       | 2C 40/180B          | 126                           | 60 | 580 | 280 | 225 | 15 | 300 | 375 | 160 | 116  | 2"     | 1 1/2"                   | 330 | 610 | 480            | 77 |
|                       | 2C 40/180A          | 126                           | 60 | 580 | 280 | 225 | 15 | 300 | 375 | 160 | 116  | 2"     | 1 1/2"                   | 330 | 610 | 480            | 85 |
|                       | 2C 40/200A          | 126                           | 60 | 612 | 280 | 225 | 15 | 300 | 375 | 160 | 116  | 2"     | 1 1/2"                   | 300 | 680 | 450            | 92 |

